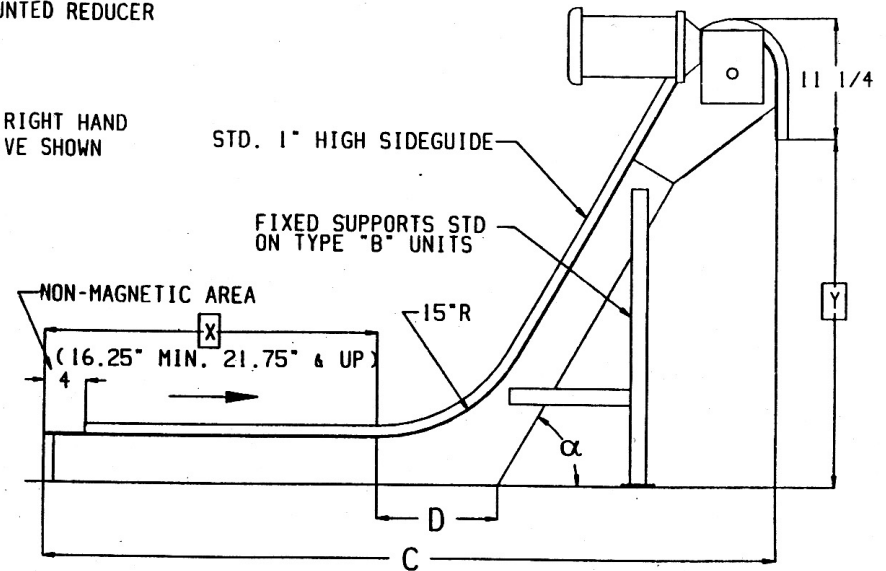
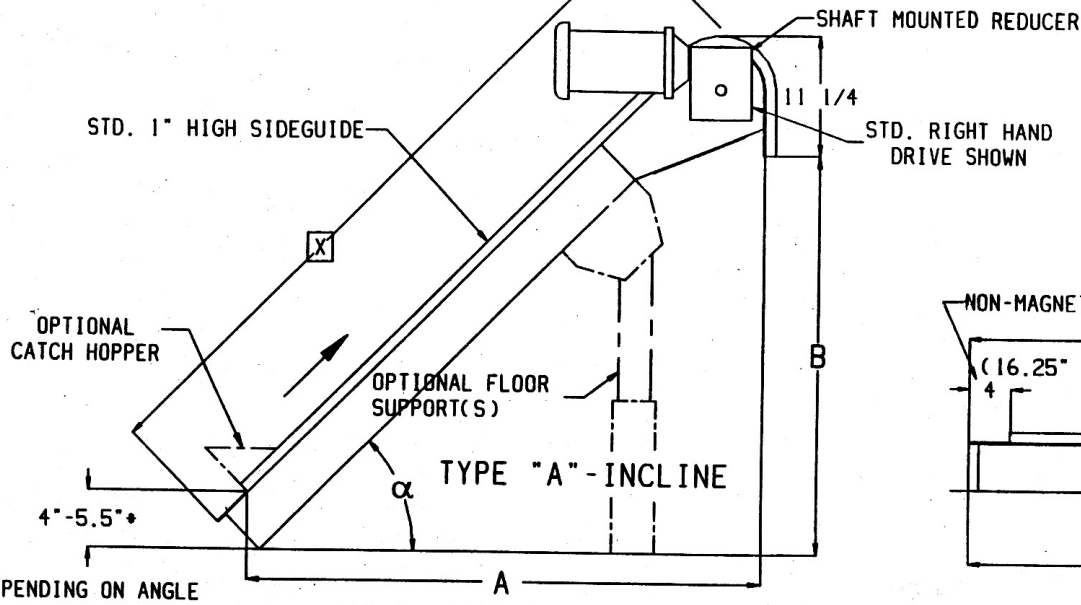


TYPICAL CROSS-SECTION



TYPE "A"-STRAIGHT

TYPE "B"-INCLINE

| MODEL | α | A | B |
|-----------|----------|------------|-------------|
| MSM0__A-X | 0° | --- | --- |
| MSM1__A-X | 15° | .966X-2.55 | .259X-7.93 |
| MSM3__A-X | 30° | .866X-.73 | .500X-8.26 |
| MSM4__A-X | 45° | .707X+1.41 | .707X-9.38 |
| MSM6__A-X | 60° | .50X+3.76 | .866X-10.28 |
| MSM7__A-X | 75° | .259X+6.13 | .966X-10.88 |
| MSM9__A-X | 90° | 9.79 | X-8.95 |

DIMENSIONS A, B, C, AND D ARE IN INCHES
 CONVERT X AND Y DIMENSIONS INTO INCHES
 FOR USE IN THESE TABLES

| MODEL | α | C | D |
|-------------|----------|----------------|-------|
| MSM3__B-X-Y | 30° | X+1.732Y+19.10 | 5.23 |
| MSM4__B-X-Y | 45° | X+Y+17.75 | 8.08 |
| MSM6__B-X-Y | 60° | X+.577Y+18.50 | 11.26 |
| MSM7__B-X-Y | 75° | X+.268Y+20.35 | 14.96 |
| MSM9__B-X-Y | 90° | X+24.70 | 19.50 |

*-DEPENDING ON ANGLE