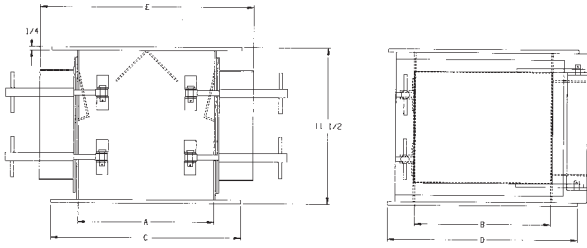
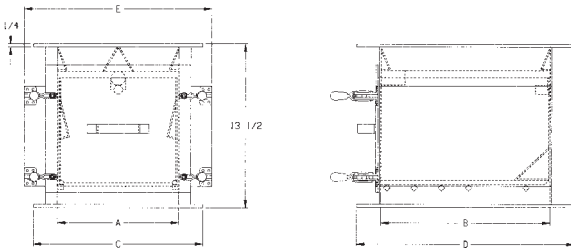


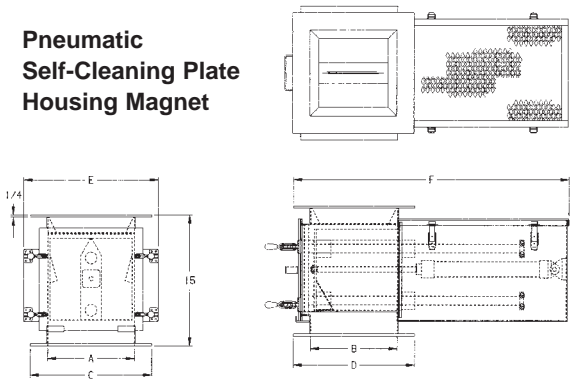
Standard Plate Housing Magnet



Manual Self-Cleaning Plate Housing Magnet



Pneumatic Self-Cleaning Plate Housing Magnet



Dimensions and Openings for Standard Models (in inches)

MODEL NO.	SQUARE SPOUT	ROUND SPOUT	OPEN AREA 90° Diverter	A	B	C	D	E
	Approximate Equivalent	Approximate Equivalent						
PHMS-6-CR	6	7	40	8	8	12	12	13 3/4
PHMS-6-NE	6	7	40	8	8	12	12	11 3/8
PHMS-8-CR	6	7	40	10	8	14	12	15 3/4
PHMS-8-NE	6	7	40	10	8	14	12	13 3/8
PHMS-10-CR	7	8	50	10	10	14	14	15 3/4
PHMS-10-NE	7	8	50	10	10	14	14	13 3/8
PHMS-14-CR	8	10	70	10	14	14	18	15 3/4
PHMS-14-NE	8	10	70	10	14	14	18	13 3/8
PHMS-20-CR	10	11	100	10	20	14	24	15 3/4
PHMS-20-NE	10	11	100	10	20	14	24	13 3/8
PHMS-24-CR	11	12	120	10	24	14	28	15 3/4
PHMS-24-NE	11	12	120	10	24	14	28	13 3/8
PHMS-32-CR	13	14	160	10	32	14	36	15 3/4
PHMS-32-NE	13	14	160	10	32	14	36	13 3/8

Dimensions and Openings for Self-Cleaning Models (in inches)

MODEL NO.	SQUARE SPOUT	ROUND SPOUT	OPEN AREA 60° Diverter	A	B	C	D	E
	Approximate Equivalent	Approximate Equivalent						
PHMS-6-SC-CR	5	6	26	8	8	12	12	13 1/2
PHMS-6-SC-NE	5	6	26	8	8	12	12	13 1/2
PHMS-8-SC-CR	6	7	39	10	8	14	12	15 1/2
PHMS-8-SC-NE	6	7	39	10	8	14	12	15 1/2
PHMS-10-SC-CR	7	8	51	10	10	14	14	15 1/2
PHMS-10-SC-NE	7	8	51	10	10	14	14	15 1/2
PHMS-14-SC-CR	8	10	75	10	14	14	18	15 1/2
PHMS-14-SC-NE	8	10	75	10	14	14	18	15 1/2
PHMS-20-SC-CR	10	11	111	10	20	14	24	15 1/2
PHMS-20-SC-NE	10	11	111	10	20	14	24	15 1/2
PHMS-24-SC-CR	11	12	135	10	24	14	28	15 1/2
PHMS-24-SC-NE	11	12	135	10	24	14	28	15 1/2
PHMS-32-SC-CR	13	14	183	10	32	14	36	15 1/2
PHMS-32-SC-NE	13	14	183	10	32	14	36	15 1/2

Dimensions and Openings for Pneumatic Self-Cleaning Models (in inches)

MODEL NO.	SQUARE SPOUT	ROUND SPOUT	OPEN AREA 60° Diverter	A	B	C	D	E	F
	Approximate Equivalent	Approximate Equivalent							
PHMS-10-PSC-CR	6	8	44	10	10	14	14	15 1/2	34
PHMS-10-PSC-NE	6	8	44	10	10	14	14	15 1/2	34
PHMS-14-PSC-CR	8	10	66	10	14	14	18	15 1/2	42
PHMS-14-PSC-NE	8	10	66	10	14	14	18	15 1/2	42
PHMS-20-PSC-CR	10	11	99	10	20	14	24	15 1/2	54
PHMS-20-PSC-NE	10	11	99	10	20	14	24	15 1/2	54
PHMS-24-PSC-CR	11	12	121	10	24	14	28	15 1/2	62
PHMS-24-PSC-NE	11	12	121	10	24	14	28	15 1/2	62
PHMS-32-PSC-CR	13	14	165	10	32	14	36	15 1/2	78
PHMS-32-PSC-NE	13	14	165	10	32	14	36	15 1/2	78

Specifications are subject to change without notice.

How to Select Plate Housing Magnets

Use the tables to find the standard or self-cleaning models that match the size of your square or round spouting. Recommended housing size is based on comparable cross sectional areas. Flow capacity and flow characteristics of product can affect housing size. Model numbers are followed by **CR** or **NE** to indicate **Ceramic** or **Neodymium Rare Earth Magnets**. Be sure to specify **Utility, Powder, Food, or Sanitary** construction when you order.